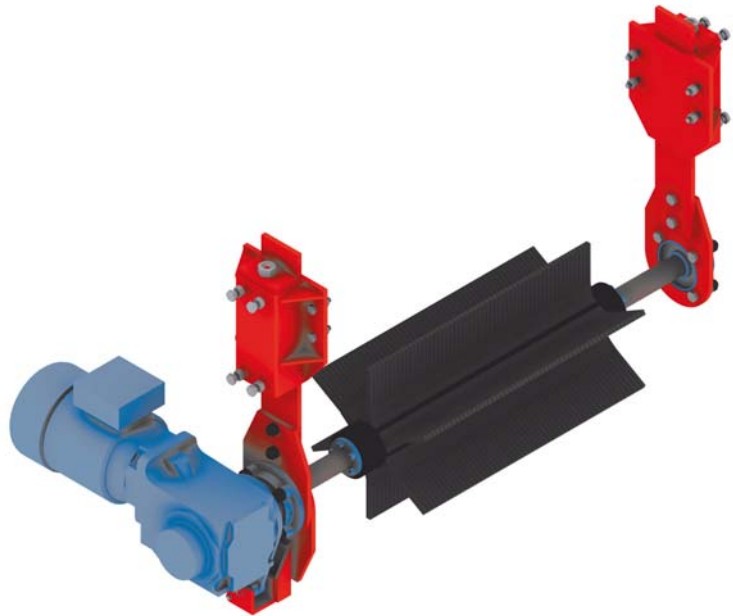


# REMACLEAN SGB

REMACLEAN SGB is a belt cleaning system with an electrically-driven rubber brush for cleaning of the top cover of incline conveyors, especially cleated belts with chevron patterns.

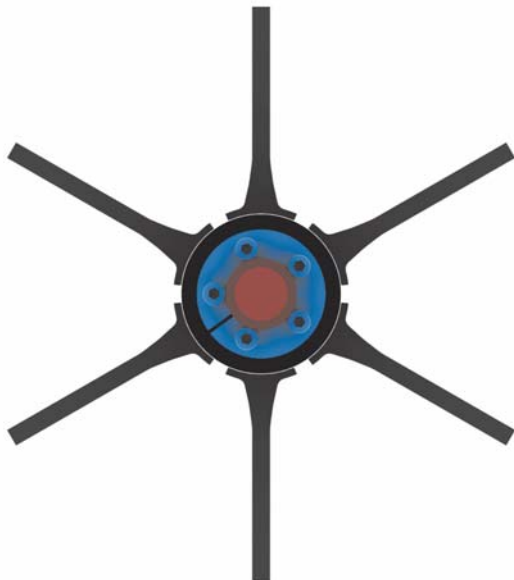
**REMACLEAN SGB** is universally applicable for many types of materials. The robust shaft, to which the rubber brush is attached, permits use of the system with belt speeds up to 2.5 m/s. The special design of the bristles adapts optimally to the profile of the belt surface and thus provides effective and belt-friendly cleaning. The brush made of highly wear resistant rubber together with the solid steel construction and robust drive unit ensure long service life and high reliability.



REMACLEAN SGB

## Advantages

- Excellent cleaning efficiency for conveyor belts with cleat profiles up to 24 mm
- Long service life by using high-quality rubber compounds (REMA LINE 70)
- Modular system consisting of brush, support frame and motor with gearbox
- Uniform and constant contact pressure easily adjustable by tension screws
- Can be adjusted by one person, no special knowledge required
- Belt-friendly cleaning
- Can be used for shuttle belt operation
- Belt speeds up to 2.5 m/s

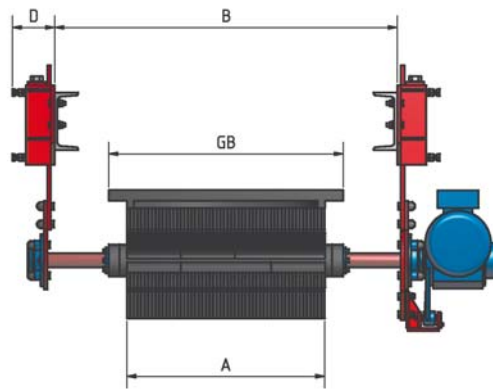
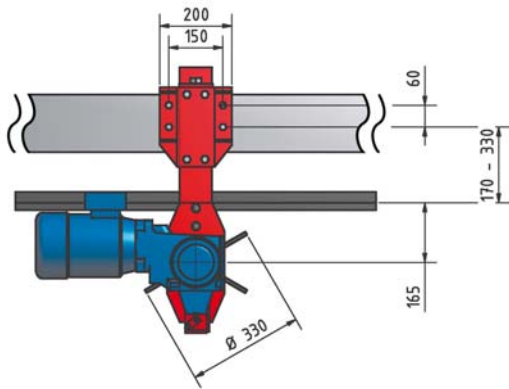




# REMACLEAN SGB

## Technical data

Belt width (mm)	Length of brush body (mm)	Assembly width (mm)	Bracket width (mm)	Motor capacity (kW)
"GB"	"A"	"B"	"D"	
400	300	700	115	1.1
500	400	800	115	1.1
650	550	950	115	1.1
800	700	1150	115	1.1
1000	950	1350	115	1.5
1200	1100	1600	130	2.2
1400	1300	1800	130	2.2



Voltage of electric motor: 230/400 V.

Other models also available on request.

REMA TIP TOP GmbH  
Business Unit Industrie

Gruber Strasse 63  
Phone: +49 8121 707-245  
Fax: +49 8121 707-222  
www.rema-tiptop.com

85586 Poing/Germany  
+49 8121 707-245  
+49 8121 707-222  
info@tiptop.de